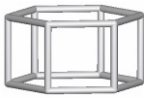
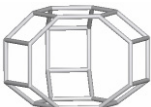

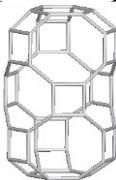






AFT  $P6_3/mmc$

$$3[4^6.6^2] + [4^9.6^2.8^3] + [4^{12}.6^2.8^6] + [4^{15}.6^2.8^9]$$

3 10 11 5

TILES

Face symbol:	$[4^6.6^2]$	$[4^9.6^2.8^3]$	$[4^{12}.6^2.8^6]$	$[4^{15}.6^2.8^9]$
				
V, E, F:	(12, 18, 8)	(24, 36, 14)	(36, 54, 20)	(48, 72, 26)
Symmetry:	$\bar{6}m2, 3m.$	$\bar{6}m2$	$\bar{3}m.$	$\bar{6}m2$
Wyckoff:	$2b, 4f$	$2c$	$2a$	$2d$
Label:	t-hpr 	t-gme 	t-cha 	t-aft 

Special features: *simple*

TILING

